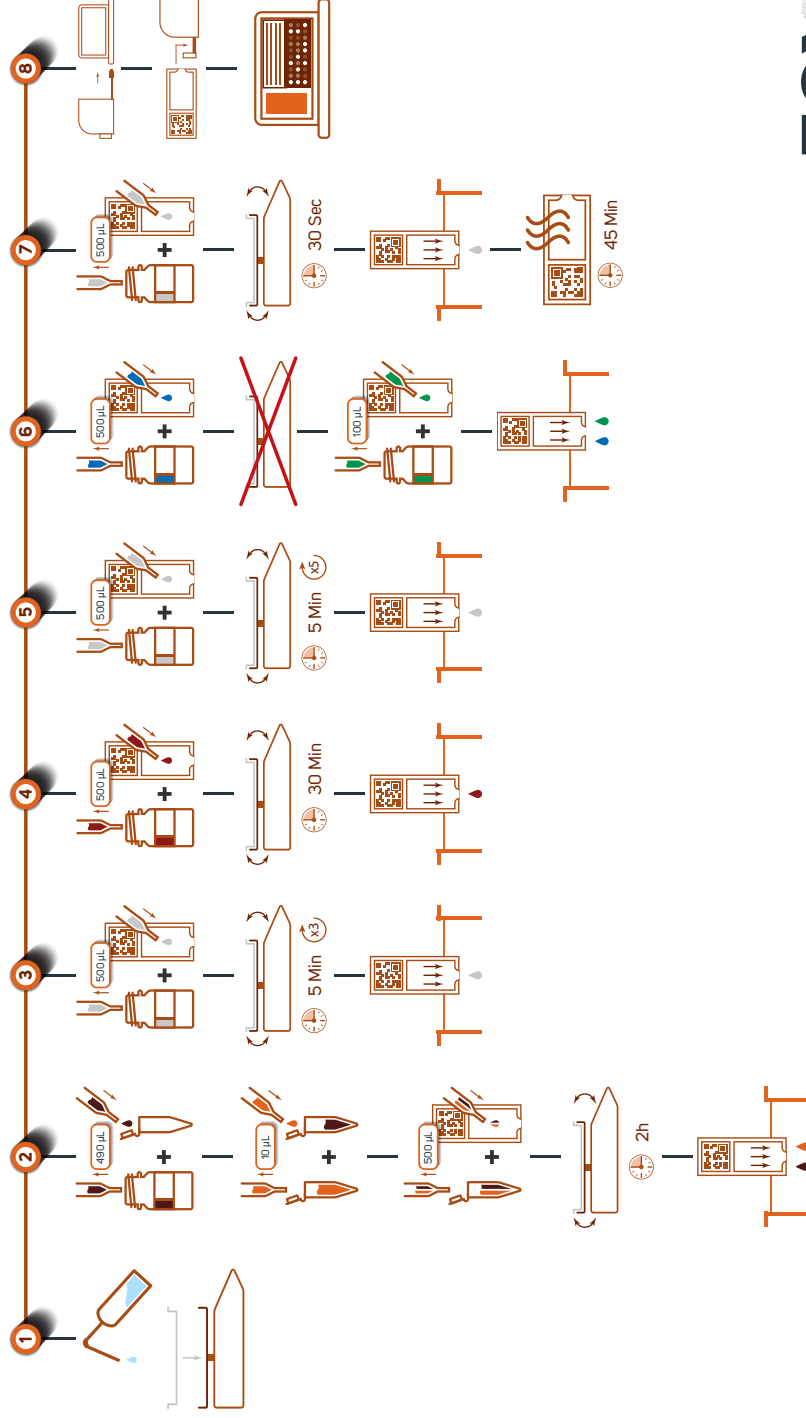


Quick Guide



- FOX Sample Diluent
- Patient Sample
- FOX Washing Solution
- FOX Detection Antibody
- FOX Substrate Solution
- FOX Stop Solution